

INSTALLATION INSTRUCTIONS

2018 Double Canopy / Full Enclosure

Tracker Marine Fishin Barge 22 Signature

PARTS LIST

DOUBLE CANOPY

1 Bow Canopy
 1 Bow Canopy with Front Zipper
 1 Hardware Package
 1 Bow Frame

FULL ENCLOSURE

1 Aft Canopy w/Zipper
 1 Hardware Package
 1 Aft Curtain
 1 Bow Canopy w/Zipper
 2 Aft Side Curtains (1 Port, 1 Starboard)
 2 Bow Side Curtains (1 Port, 1 Starboard)
 1 Bow Curtain
 1 Bow Frame

TOOLS REQUIRED

Measuring Tape
 Center punch
 Drill
 21/64" Drill Bit
 Pencil
 Phillips Screwdriver
 Crescent Wrench



WARNING

INDICATES POTENTIAL HAZARD
 THAT COULD RESULT IN DEATH
 OR INJURY



CAUTION

INDICATES POTENTIAL
 HAZARD THAT COULD
 RESULT IN BOAT DAMAGE



NOTE

INDICATES SPECIAL INFORMATION
 TO MAKE MAINTENANCE EASIER
 OR INSTRUCTIONS CLEARER



NOTE:

This enclosure is designed to fit the 2018 Tracker Marine Fishin Barge 22 Signature Pontoon Boat that has the aft canopy brackets, deck buttons, and eye straps in the following locations:

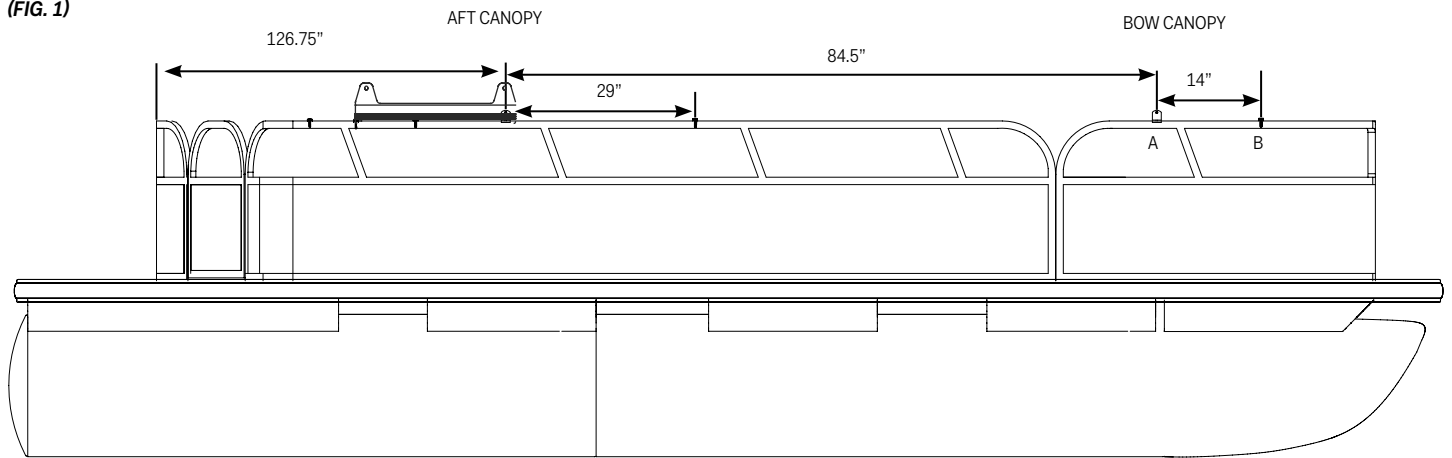
Main Aft Bracket 126.75" Forward Aft Eye Strap 29"

Measurements should be taken from back of fence for Aft Canopy Brackets and as shown below for bow canopy brackets and buttons in the following locations:

AftMain to Bow Main 84.5" Bow Main to Hold-down Arm 14"

All measurements are taken to the center of the brackets.

(FIG. 1)



NOTE:

Your pontoon has been pre-assembled with an aft canopy and aft canopy frame from Tracker Marine. The aft canopy that is supplied with the pontoon is not designed to be used with an enclosure. You must remove the standard aft canopy and replace it with the aft canopy that is supplied with the purchase of your enclosure. Once the new canopy is installed, raise the entire unit to the "up" position. Make sure the aft canopy is centered on the frame between the port and starboard sides. This step is very critical, it will determine the final appearance of your completed enclosure.

BRACKET LOCATIONS & ASSEMBLY (FIGURES 1 & 2)

STEP 1:

Bracket location (A). Measure and place a mark on the top rail 84.5" forward from the aft main bracket. Bracket location (B). Measure and place a mark on the top rail 14" forward from (A).

STEP 2

Center the brackets and deck buttons at each mark as shown in Figure 2. Transfer the centers of each hole at the bottom of the bracket and deck button on to the rail using a center punch.

STEP 3:

Using 21/64" drill bit, drill holes completely through the top rail.

STEP 4:

Replace the brackets. Insert (2) bolts from the bottom through the bracket and the rail. Place (2) lock nuts on and tighten (Figure 2).

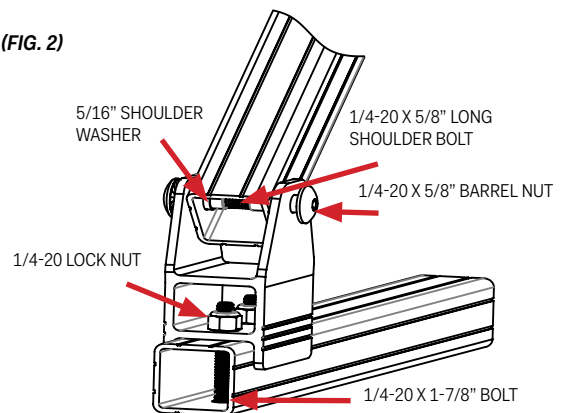
STEP 5:

Install deck buttons at location (B) using barrel nuts.

STEP 6:

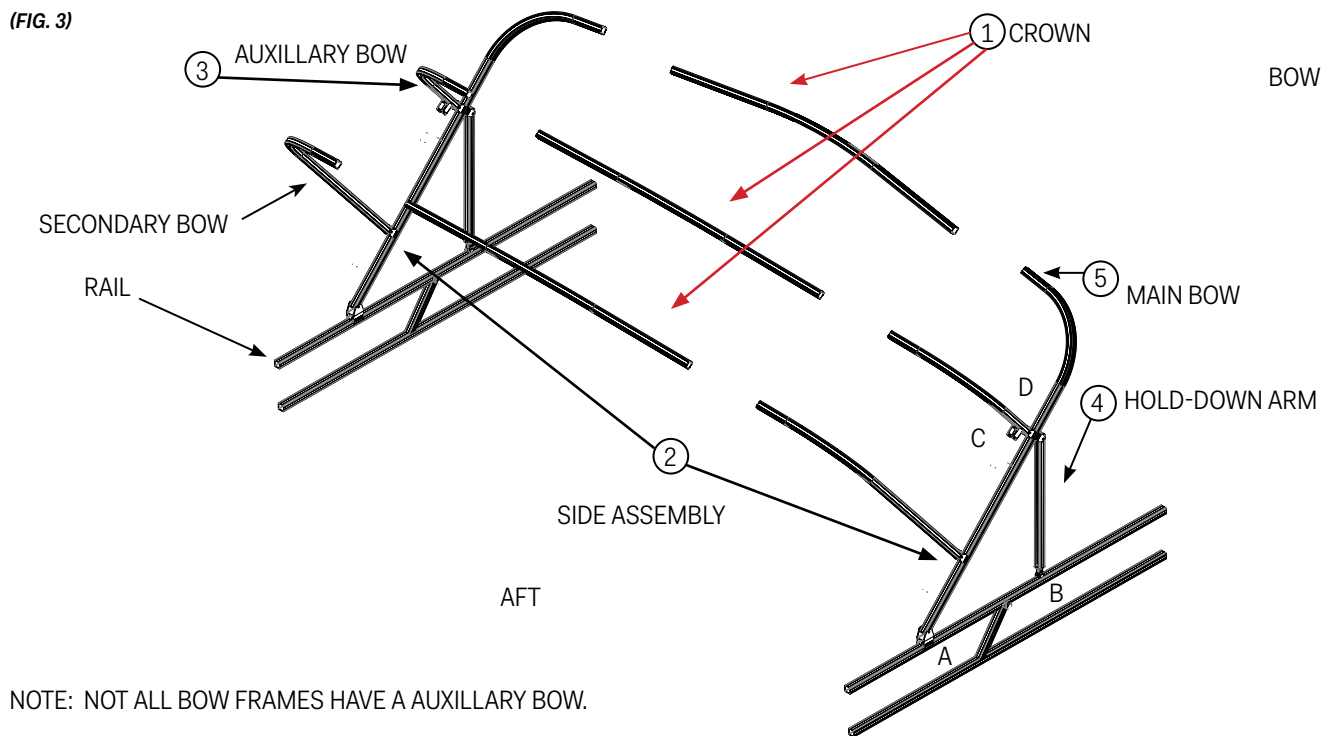
Follow the same procedure for the other side.

(FIG. 2)



CAUTION

TO PREVENT DAMAGE TO THE TOP RAIL, IT IS RECOMMENDED TO DRILL A PILOT HOLE FIRST.



BOW CANOPY & BOW CANOPY FRAME ASSEMBLY (FIGURE 3)

STEP 1:

Insert crown pieces (1) into side assemblies (2), making sure that the bend in the center of the mid-frame is to the top and follows the curve of the frame.

STEP 2:

After each side assembly has been inserted into each crown piece, secure each split with the provided 1/2" self drilling screws by drilling through the crown into the stakes of the side assemblies.

STEP 3:

With two people, lift the bow frame assembly onto the boat and insert the main bow tube into the previously installed bow brackets (A). Using barrel nuts and shoulder bolts (inserting shoulder washers, see Figure 2), secure the frame to the rail (Figure 2).

STEP 4:

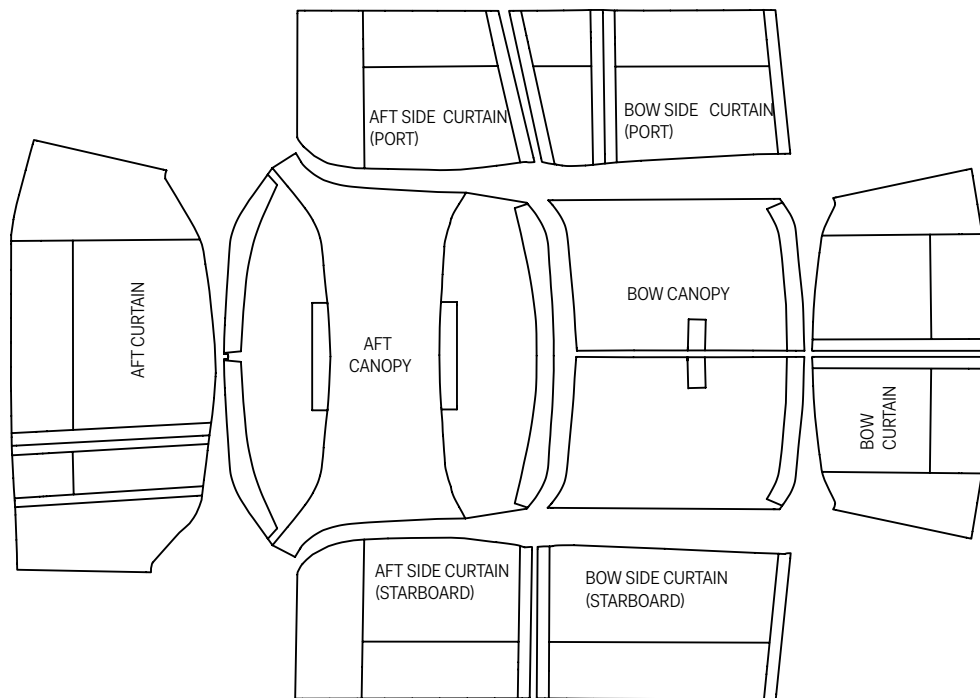
Once the frame is secure, raise the assembly up and latch the hold down arms (4) to the deck buttons (B).

STEP 5:

Lay the secondary and auxillary bows toward the aft of the boat. Zip the front pocket of the bow canopy to the main bow (5). Release the hold down arms (4) and zip the bow canopy to the aft canopy. Push up the auxillary bow and zip inside pocket. Push the secondary bow up and zip inside pocket.

STEP 5:

Center the bow canopy before re-securing the hold down arm (4) to the buttons.



CURTAINS (FIGURE 4)

STEP 1:

Each curtain has a tag sewn in the upper left-hand corner of the flap. This will identify each curtain and give its location on the pontoon.

STEP 2:

The curtain flaps will face the inside of the pontoon.

STEP 3:

Start with the Bow and Aft curtains. Zip approximately 6" of the Aft curtain to the top. Insert the RailLok HC clips in the rail and slide them down the rail as you insert them. Finish zipping the curtain to the top. Repeat this process for the Bow curtain and side curtains.

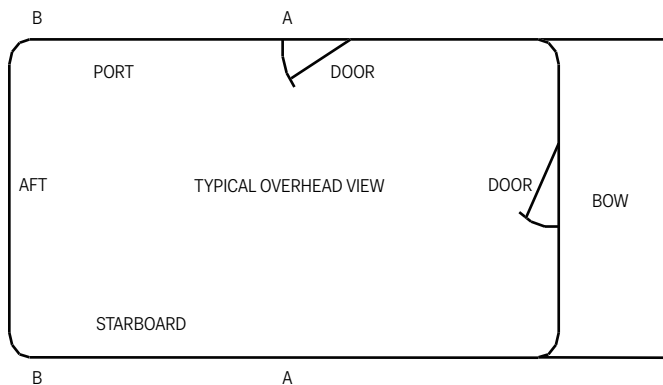
STEP 4:

Finally zip all curtains together.

STEP 5:

To remove the curtains unzip all of the curtains, then unzip each curtain from the top. That will release the tension to remove the RailLok HC clips from the rail.

(FIG. 5)



CARE



WARNING

DO NOT TRAILER BOAT WITH ANY CANOPY TOP UP (IN RADAR ARCH POSITION) OR WITH THE ENCLOSURE ASSEMBLED!